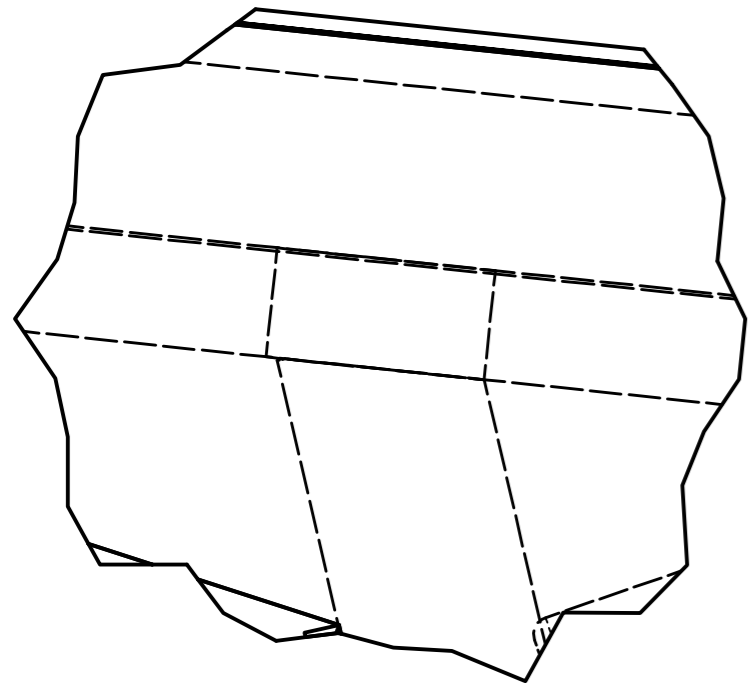
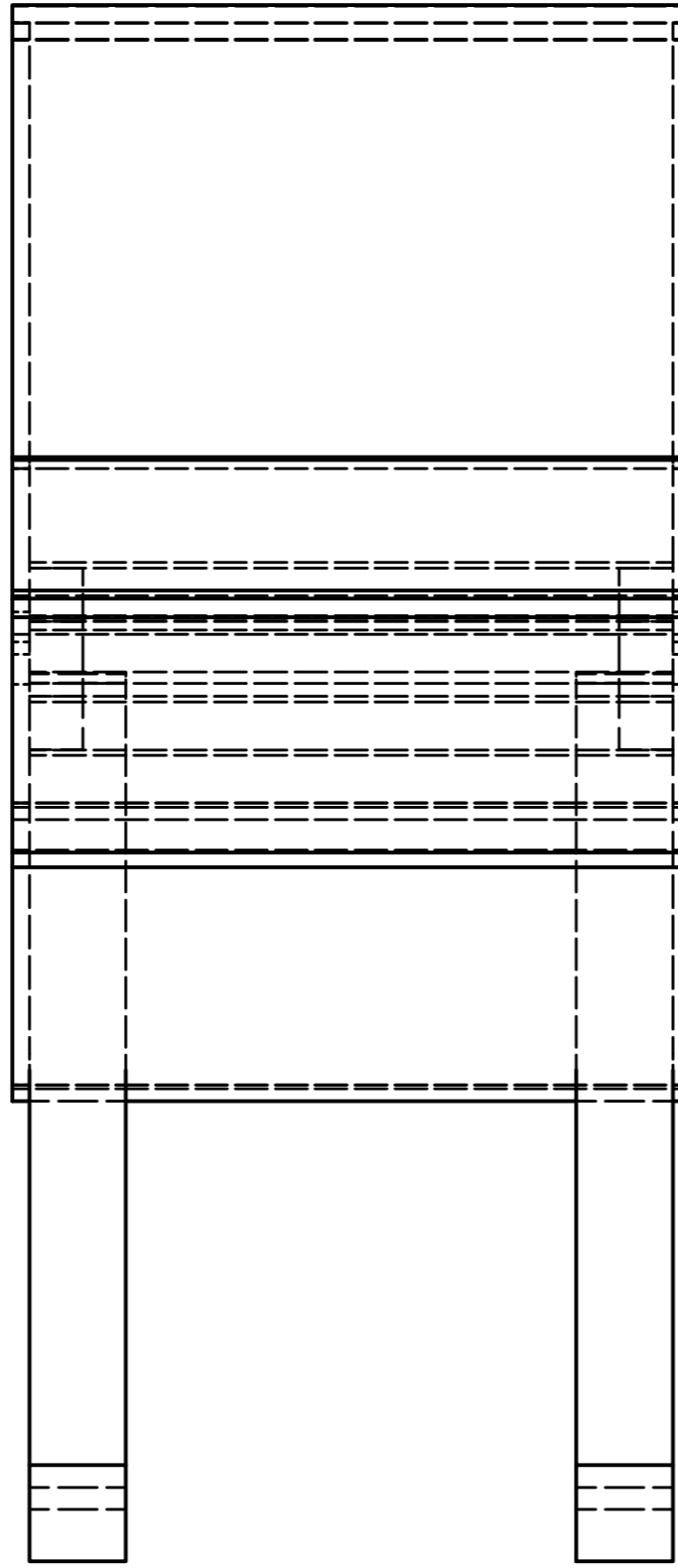


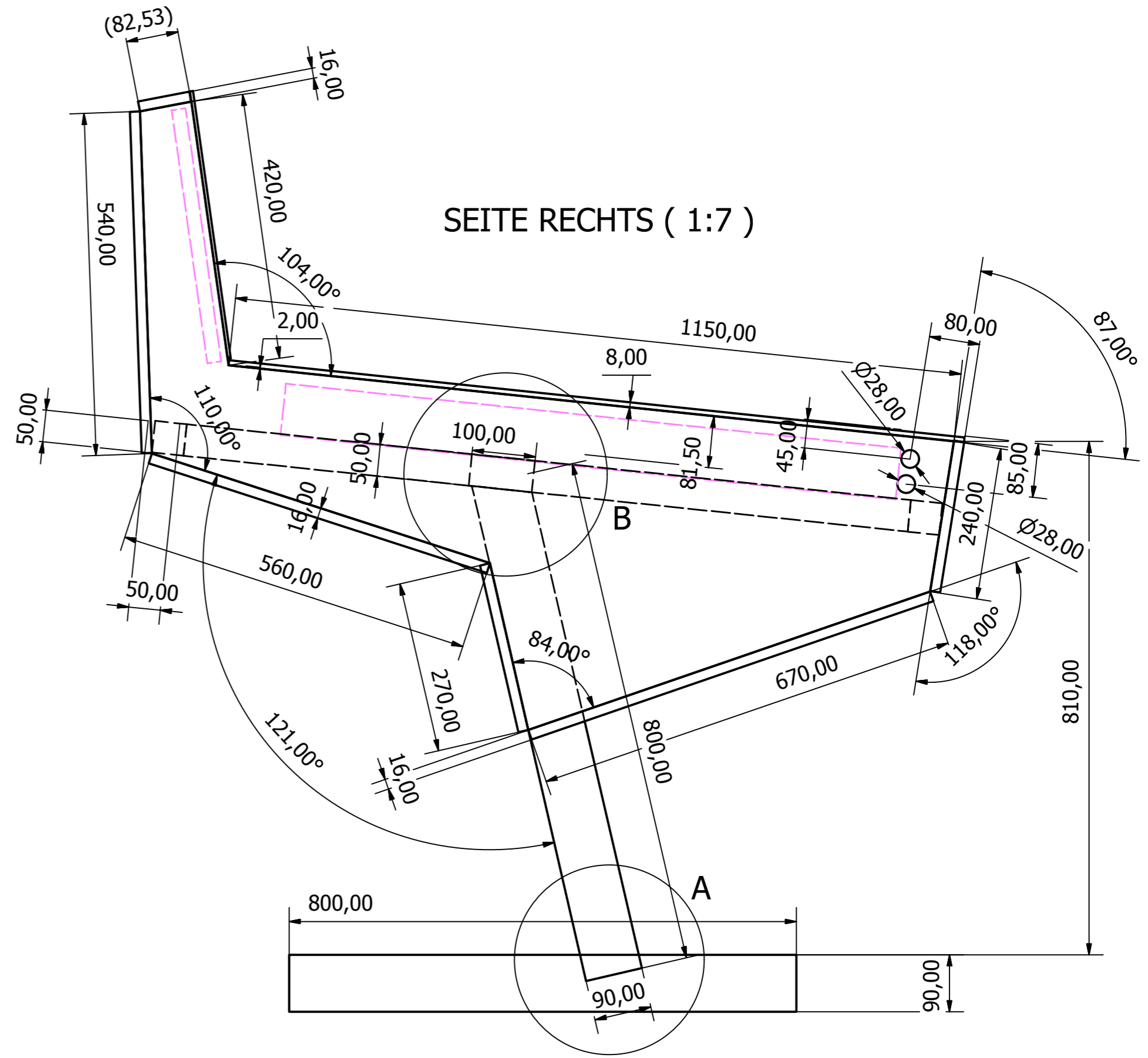
B (0.29 : 1)



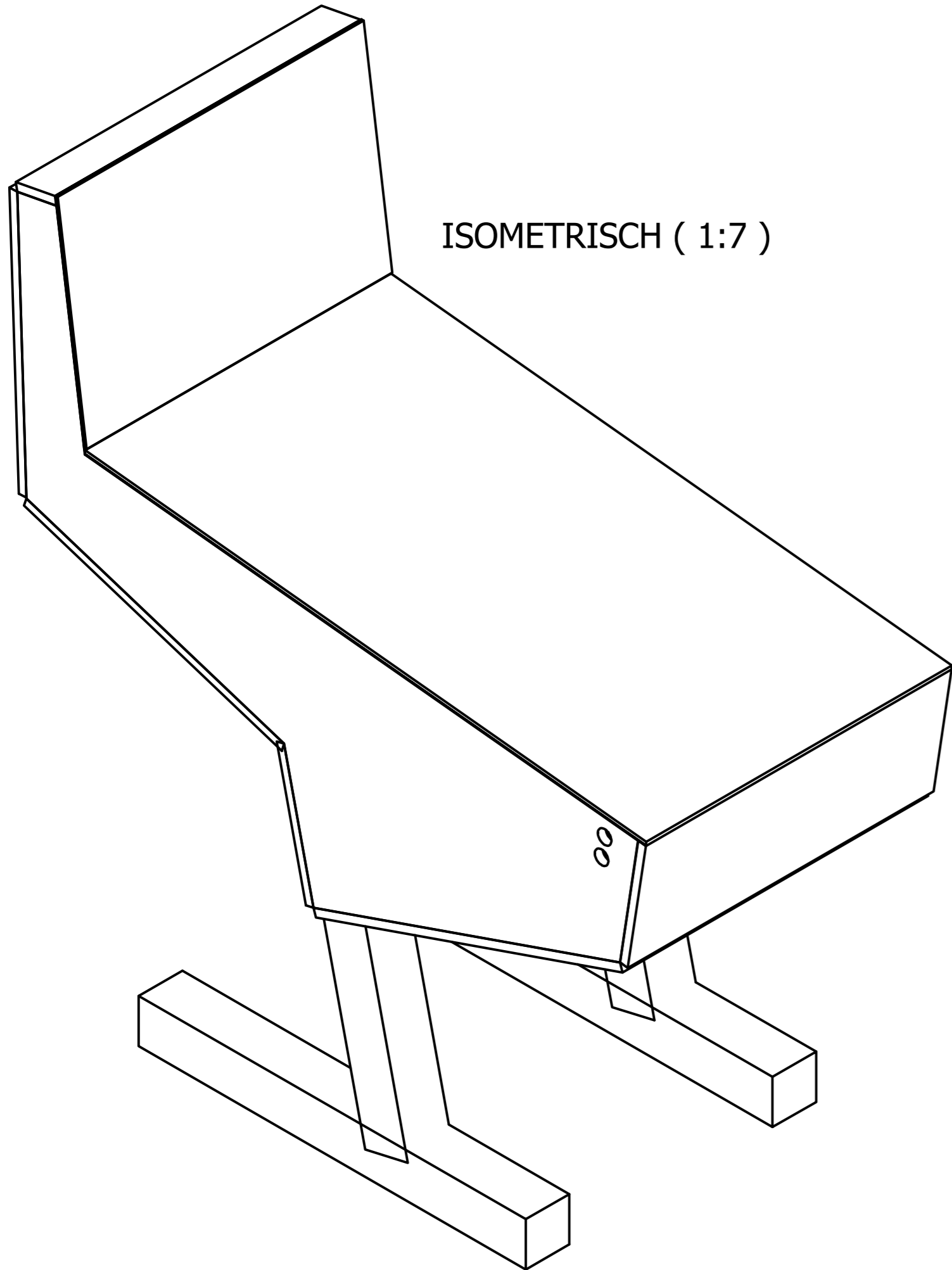
FRONT (1:7)



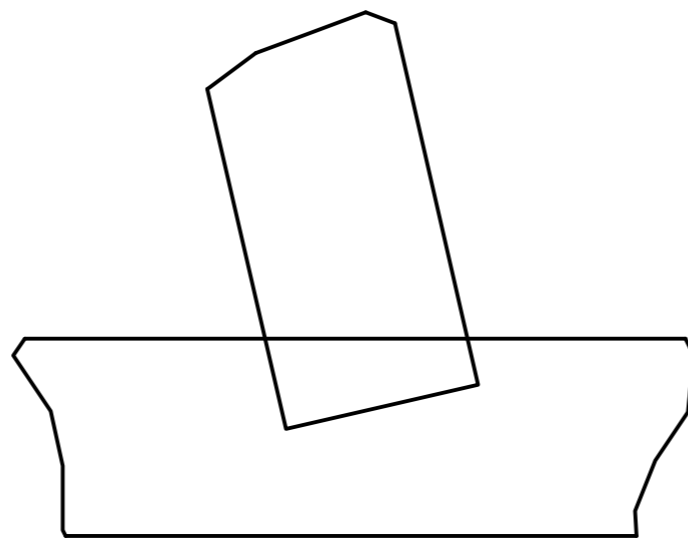
SEITE RECHTS (1:7)



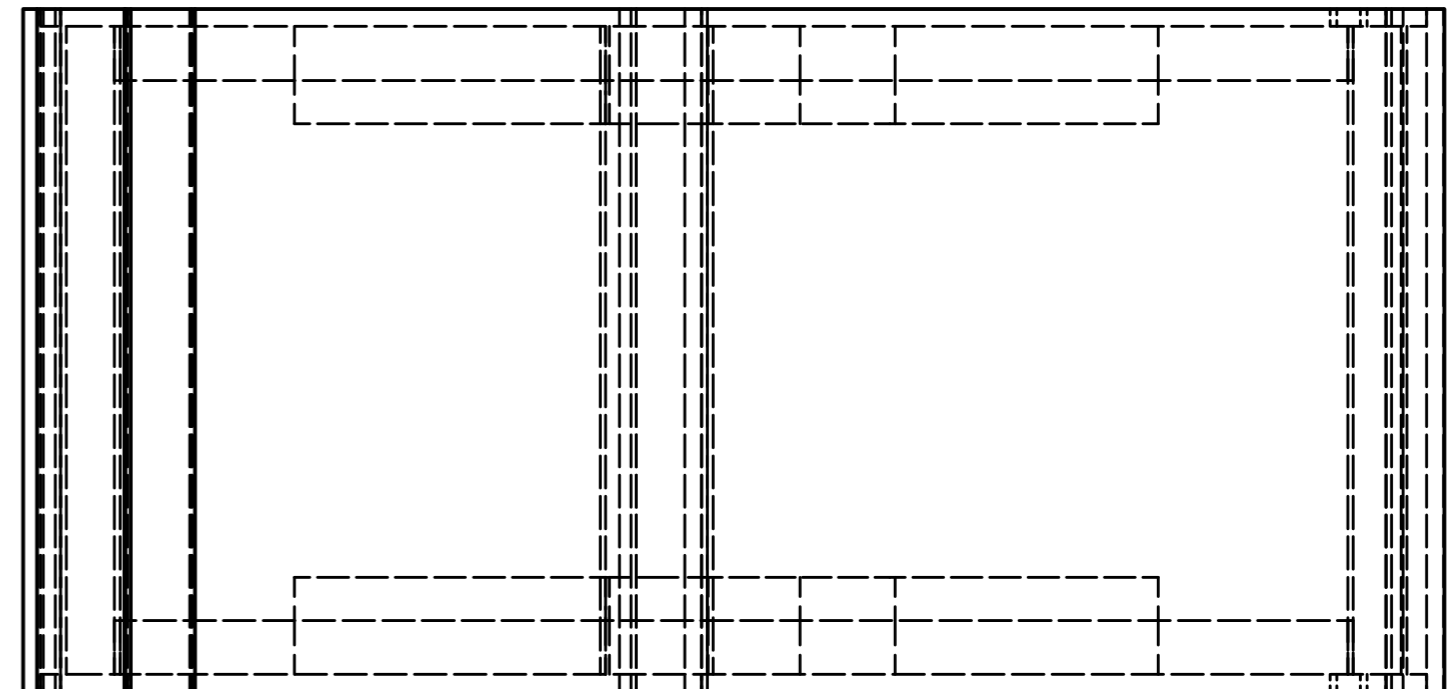
ISOMETRISCH (1:7)



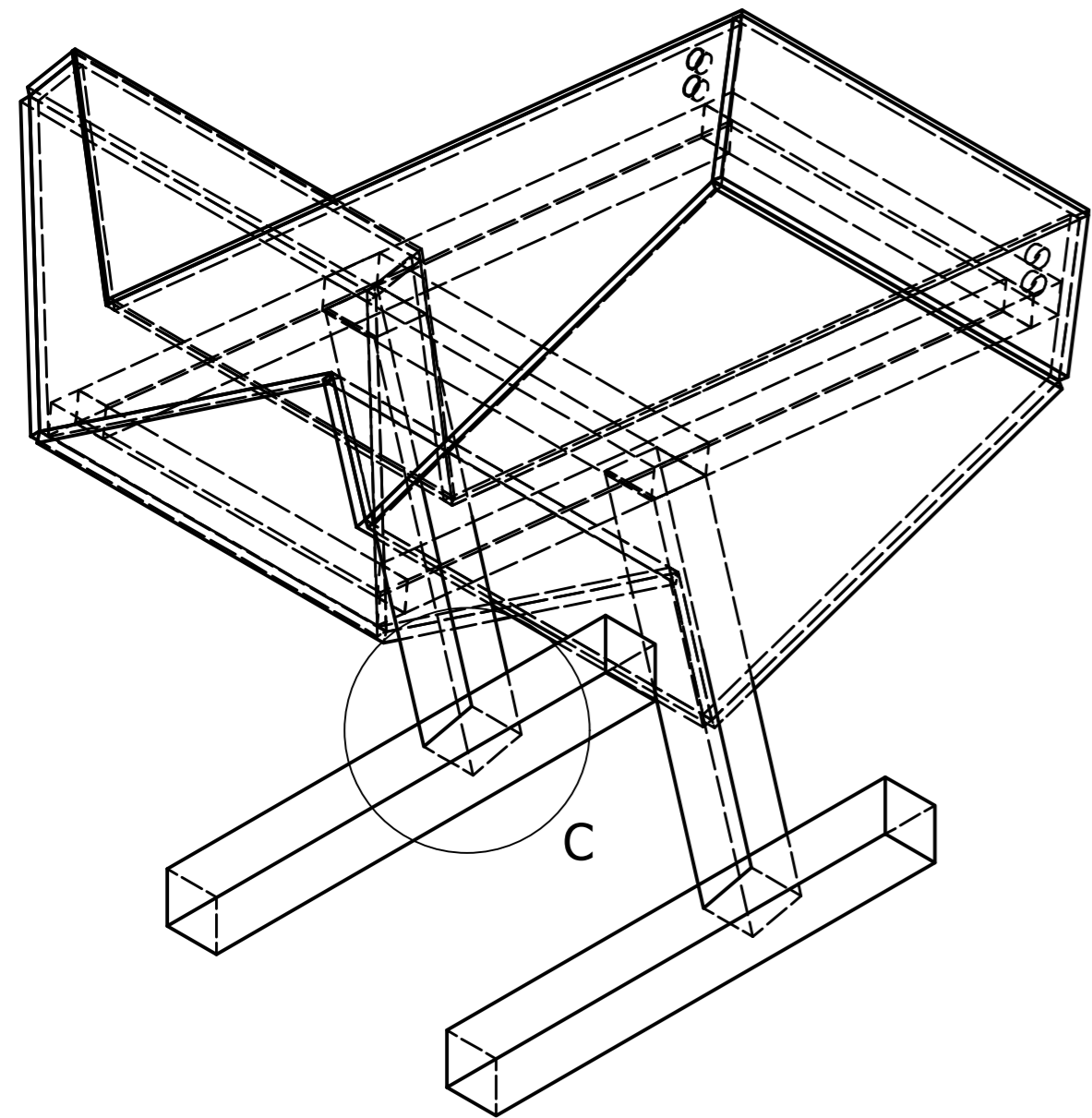
A (0.29 : 1)



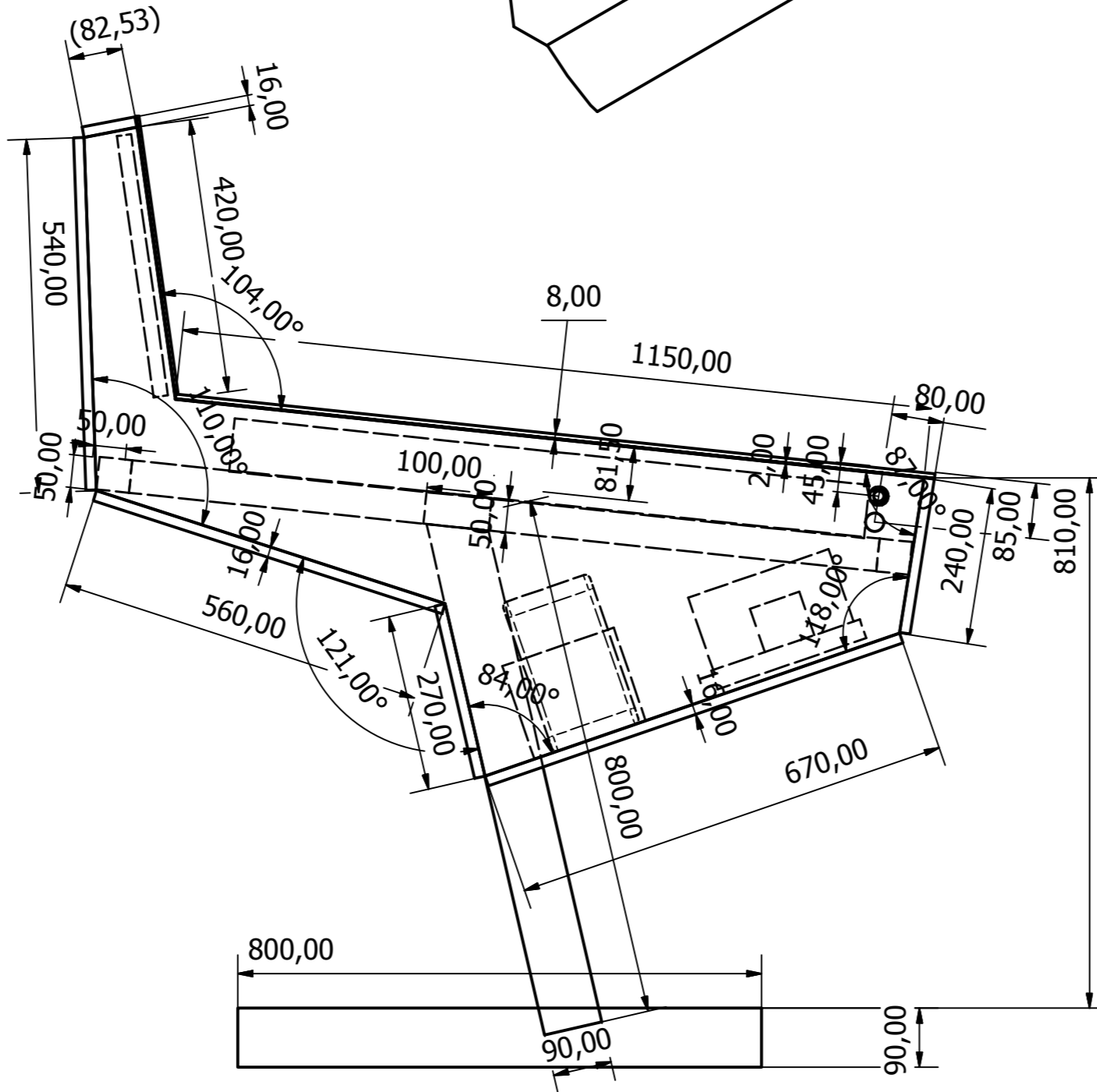
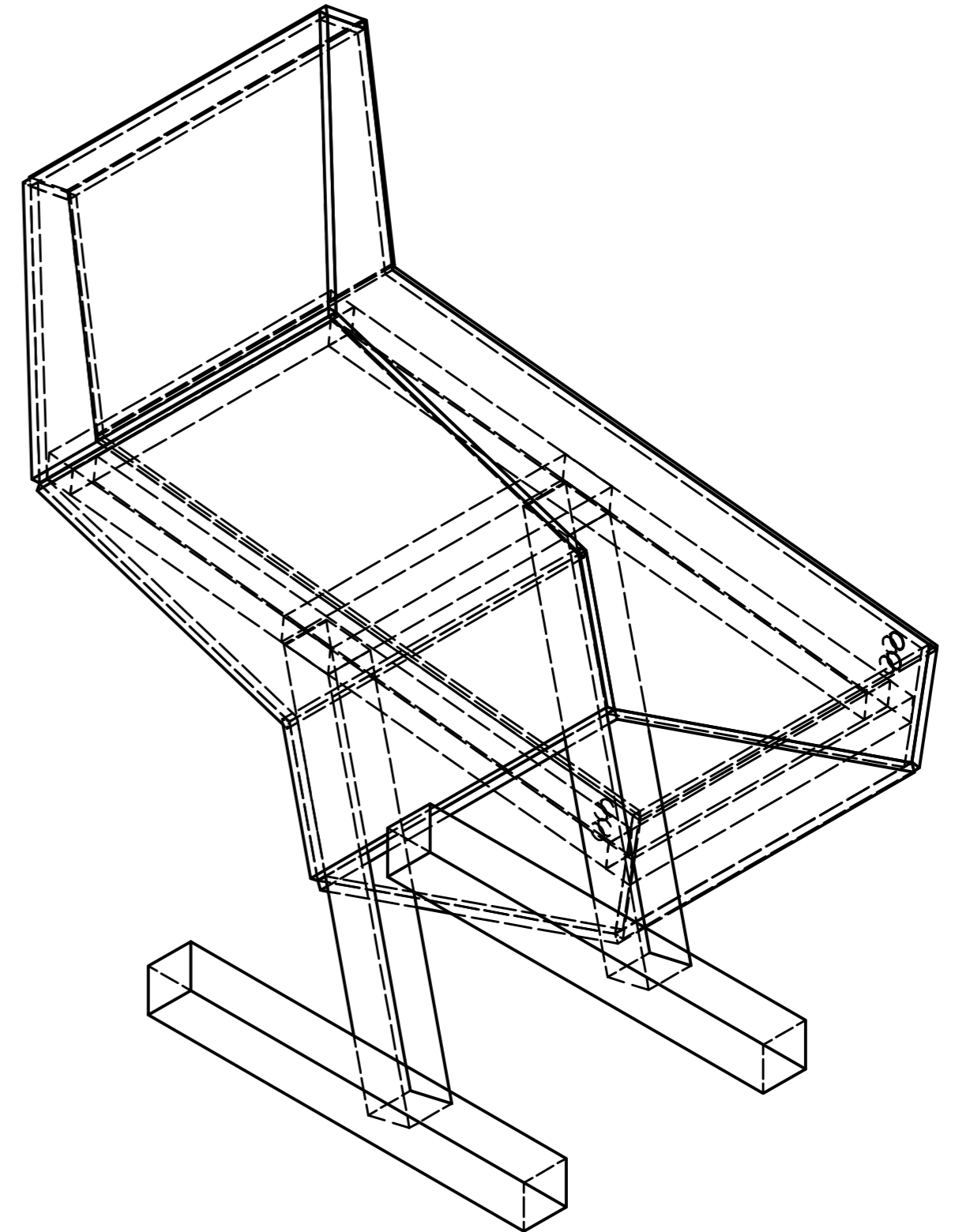
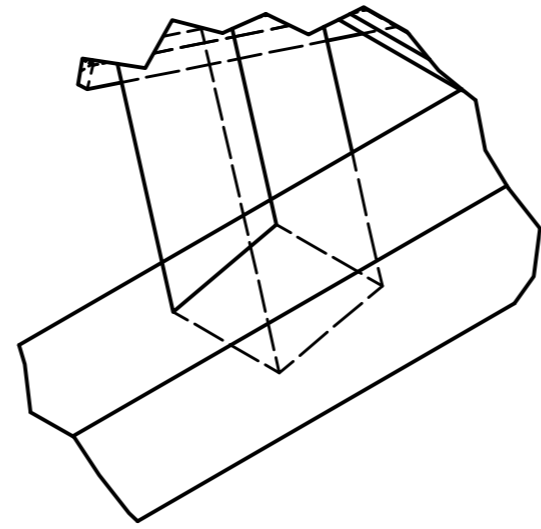
AUFSICHT (1:7)



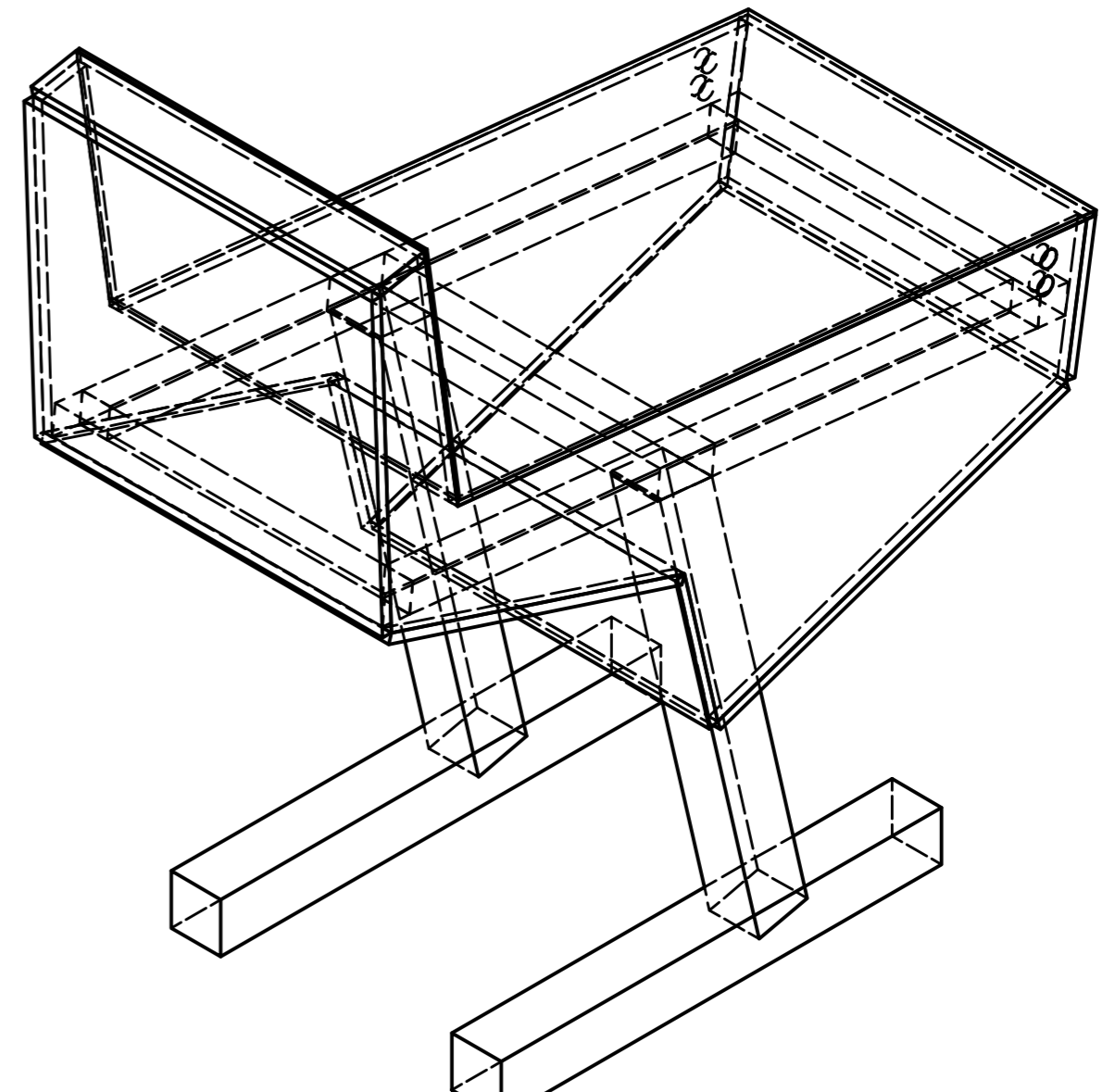
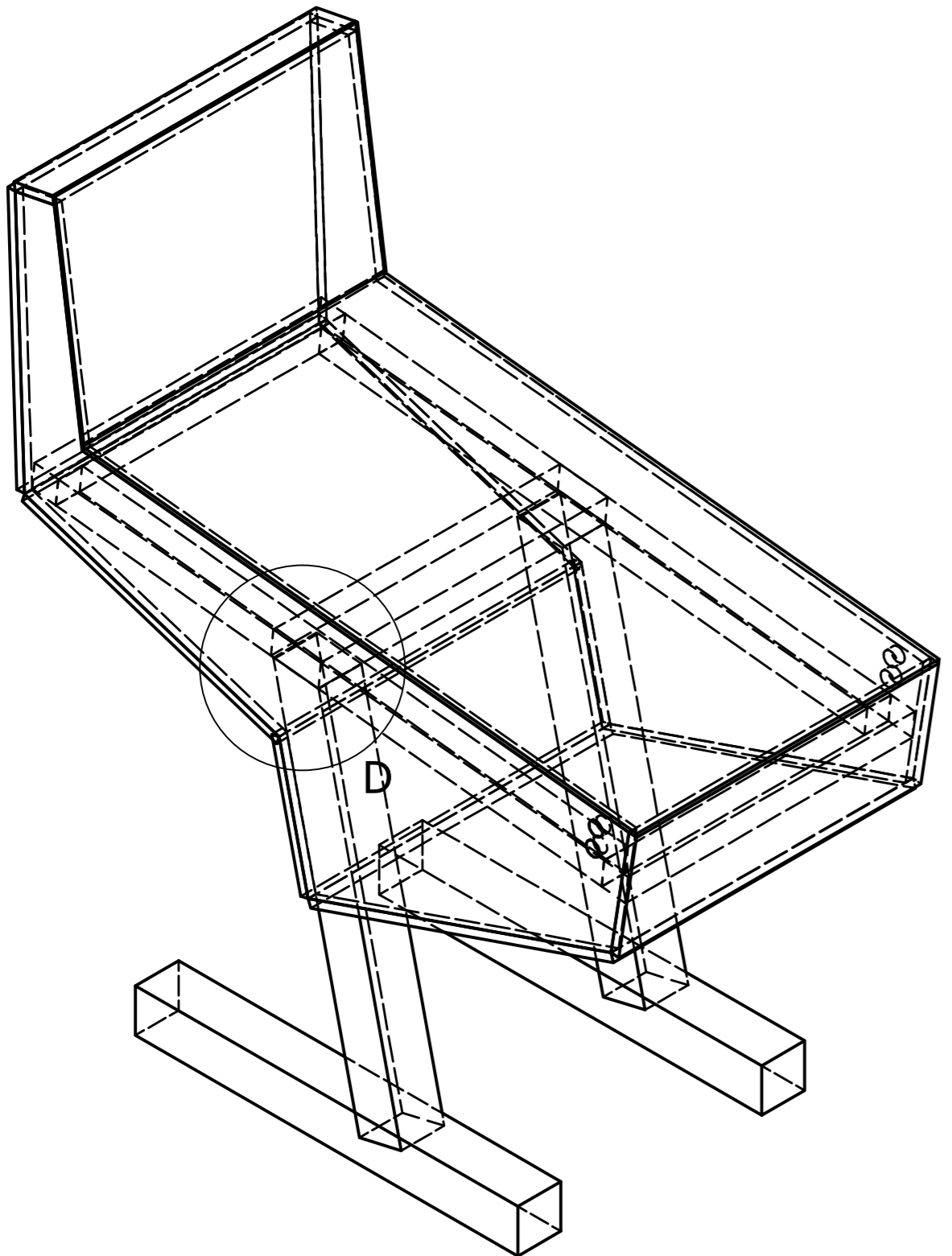
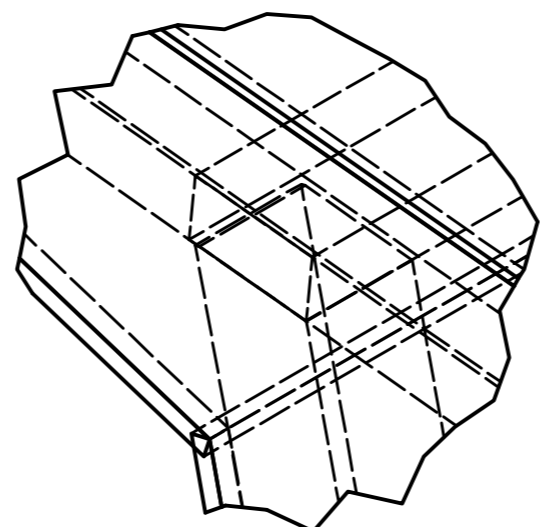
Designed by Sascha Rossier	Checked by	Approved by	Date 09.03.2016	Date
			VEGAPIN	
			VEGAPIN_MULTI_6-1_skizze	Edition 1



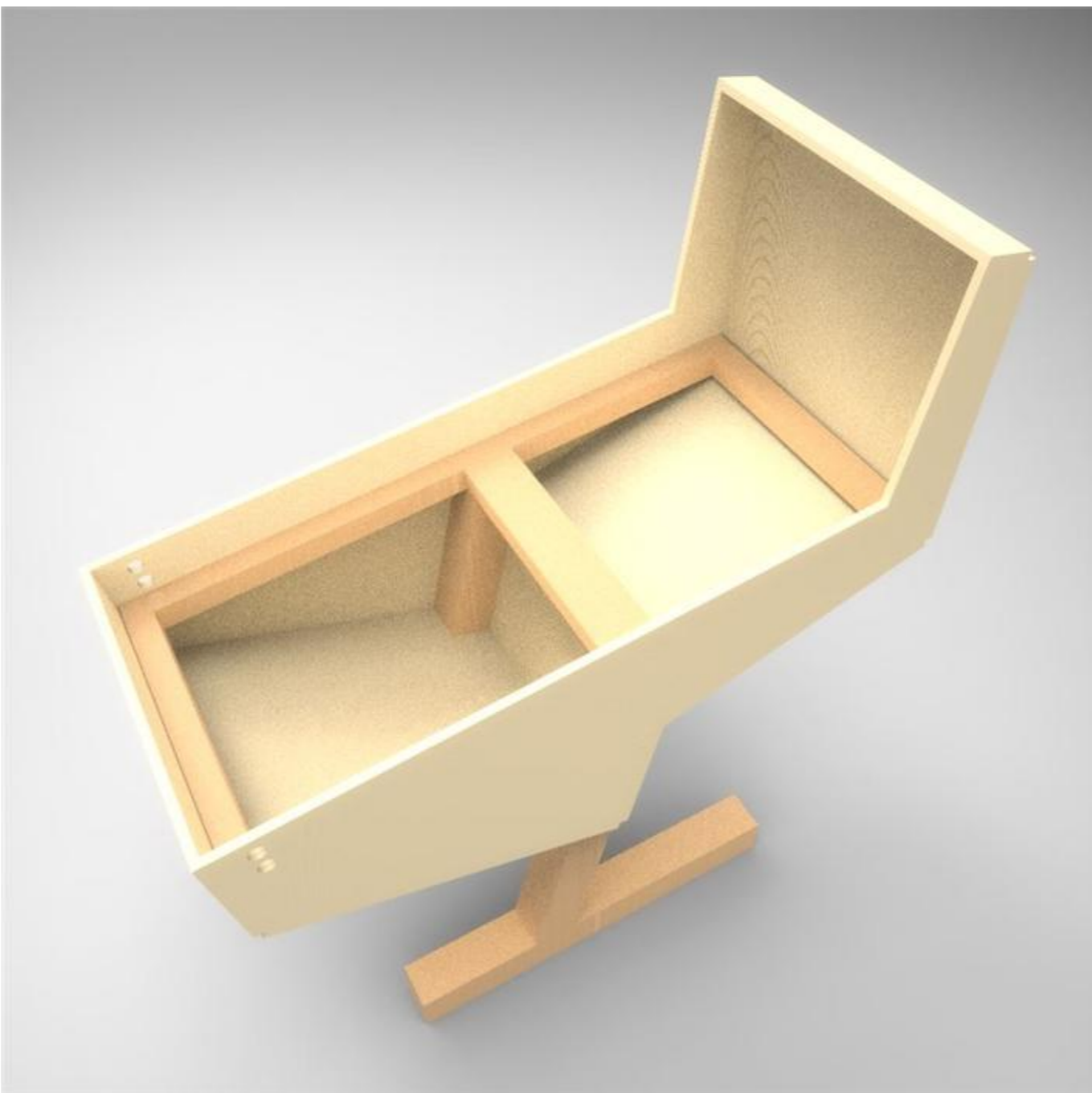
C (0.22 : 1)



D (0.22 : 1)



Designed by Sascha Rossier	Checked by	Approved by	Date 09.03.2016	Date
VEGAPIN			Edition 1	Sheet 2 / 4
			VEGAPIN_MULTI_6-1_skizze	



REVISION HISTORY				
ZONE	REV	DESCRIPTION	DATE	APPROVED
	1	Pläne für die Schreinerei	09.03.2016	

Designed by Sascha Rossier	Checked by	Approved by	Date 09.03.2016	Date
		VEGAPIN		
		VEGAPIN_MULTI_6-1_skizze	Edition 1	Sheet 3 / 4



Designed by	Checked by	Approved by	Date	Date
Sascha Rossier				09.03.2016
			VEGAPIN	
			VEGAPIN_MULTI_6-1_skizze	Edition 1 Sheet 4 / 4